

# Technical Bulletin



<b>NP01</b>	<b>TB0012-2016</b>	<b>Élan Motorsports Technologies</b>	
<b>From:</b>	<b>Robert Lindsey – Project Engineer, NP01</b>		
<b>Subject:</b>	<b>Air Jack Mount Bracket Kit</b>	<b>Date:</b>	<b>9 June 2016</b>

Attention all Élan NP01 customers:

Élan is pleased to offer a bracket kit for the installation of air jacks to the NP01. This system is designed to accommodate (2) front jacks via brackets welded to the chassis and (2) rear jacks bolted to the bellhousing sides.

This installation can be purchased in either of two ways:

- Élan part # ANP01-75001 – Airjack Bracket Kit. Retail price approx \$712.50

OR COMPLETE consisting of brackets, jacks, lance, and receptacle:

- Élan part # ANP01-75002 – Airjack Kit, Complete. Retail price approx. \$3,406.33. Pricing is approximate and dependent upon initial order quantities. Kits should be ready to ship by the middle of August.

Either kit may be ordered from Carl Haas Auto. As with all spares orders, please contact Bo White at Carl Haas – [haasautorw@aol.com](mailto:haasautorw@aol.com).

The standard catch tank bracket must be modified to fit the LR Airjack. Élan is including in the full kit (ANP01-75002), a revised NP01-80-029 Catch Tank Bracket which clears the Airjack. It can also be purchased separately for \$76.41 for customers only buying the bracket kit (ANP01-75001), and not wishing to bend their standard bracket

Please note: If either kit is purchased with a new Élan-built car *at the time of order* it will be installed as part of the build process. If the kit is not ordered at the time of initial purchase it will be subject to a retro-fit installation price.

Any questions can be directed to:

Brandon White - Project Coordinator, NP01 - [bwhite@elangroup.com](mailto:bwhite@elangroup.com)

The BRACKET ONLY kit will consist of:

Part #	Qty	Description
NP01-75-001	1	Bracket, Airjack, Rear Lower - LH
NP01-75-002	1	Bracket, Airjack, Rear Lower - RH
NP01-75-003	1	Bracket, Airjack, Rear Upper - LH
NP01-75-004	1	Bracket, Airjack, Rear Upper - RH
NP01-75-005	2	Bracket, Airjack, Front Lower
NP01-75-007	1	Bracket, Airjack, Front Upper - LH
NP01-75-008	1	Bracket, Airjack, Front Upper - RH
NP01-75-009	1	Bracket, Lance Receptacle

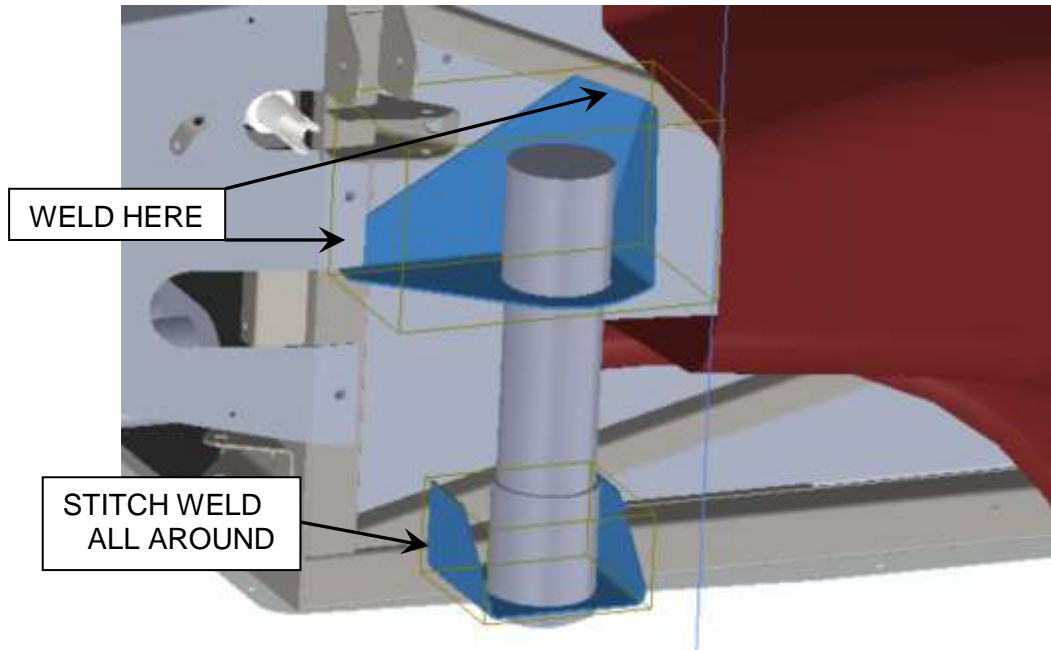
The COMPLETE kit will consist of all the above plus:

Part #	Qty	Description
PY-0629	4	Airjack, K-Sport
	1	Receptacle
	1	Lance
NP01-75-010	1	Hose, Lance to T
NP01-75-011	1	Hose, T to Rear
NP01-75-012	1	Hose, T to Front
NP01-75-013	1	Hose, Front to Front
NP01-75-014	1	Hose, Rear to Rear

Any questions can be directed to:

Brandon White - Project Coordinator, NP01 - [bwhite@elangroup.com](mailto:bwhite@elangroup.com)

The front brackets are designed to be welded to the chassis. The upper and lower should be positioned and installed by a competent fabricator using an air jack or jig to maintain alignment between the upper and lower plates.



The rear brackets bolt as shown:

