

# Technical Bulletin



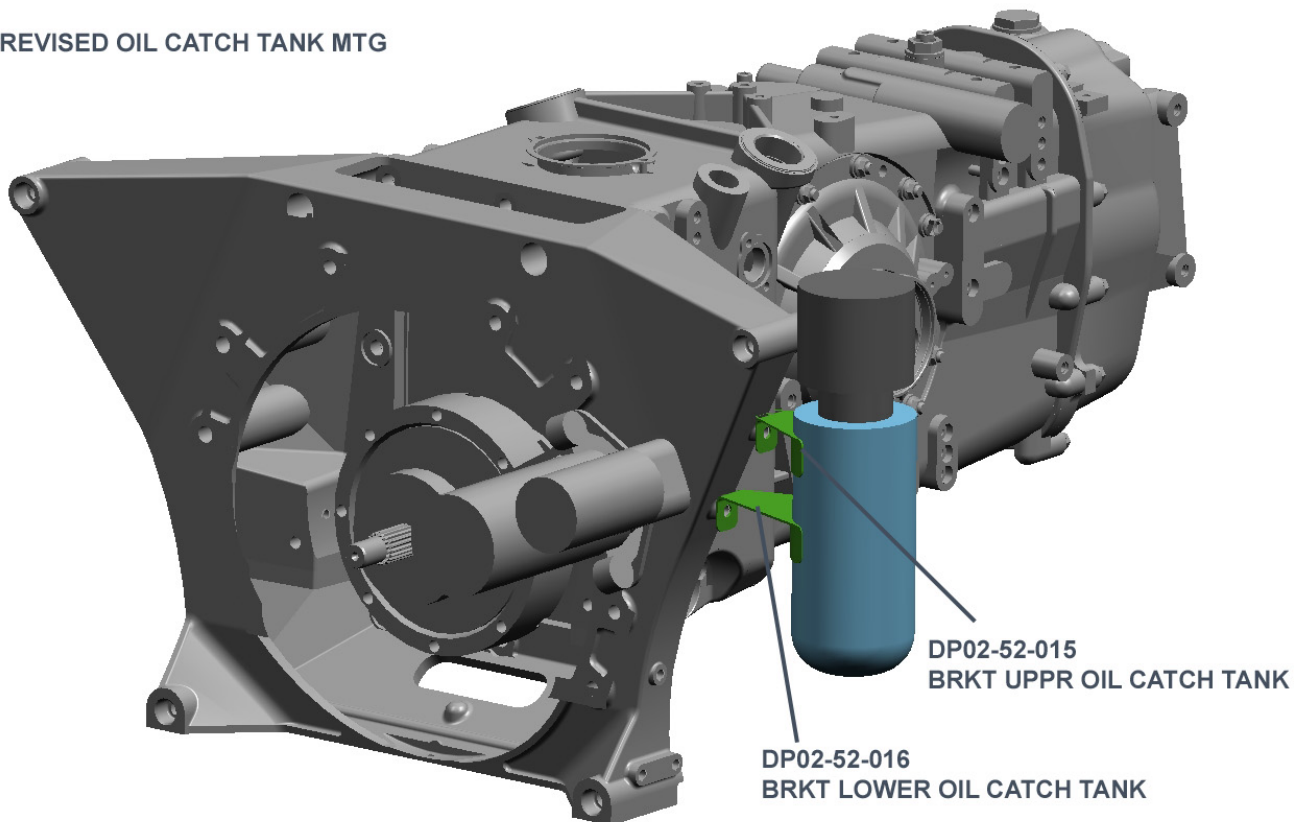
<b>DP02</b>	<b>TB0006-2006</b>	<b>Elan Motorsports Technologies</b>	
<b>From:</b>	Christian Rushforth		
<b>Subject:</b>	<b>Oil Catch Tank Mounting</b>	<b>Date:</b>	<b>November 21<sup>st</sup>, 2006</b>

## Attention all Elan DP02 2006 teams

A revised catch tank mounting is recommended for all cars following a failure of the original bracket supplied.

The new mounting arrangement is shown below using brackets **DP02-52-015 / DP02-52-016**

### REVISED OIL CATCH TANK MTG



*Notes: Parts prices & delivery available upon request  
All cars #16 onward will already have this modification performed before delivery to customers*