

# Technical Bulletin

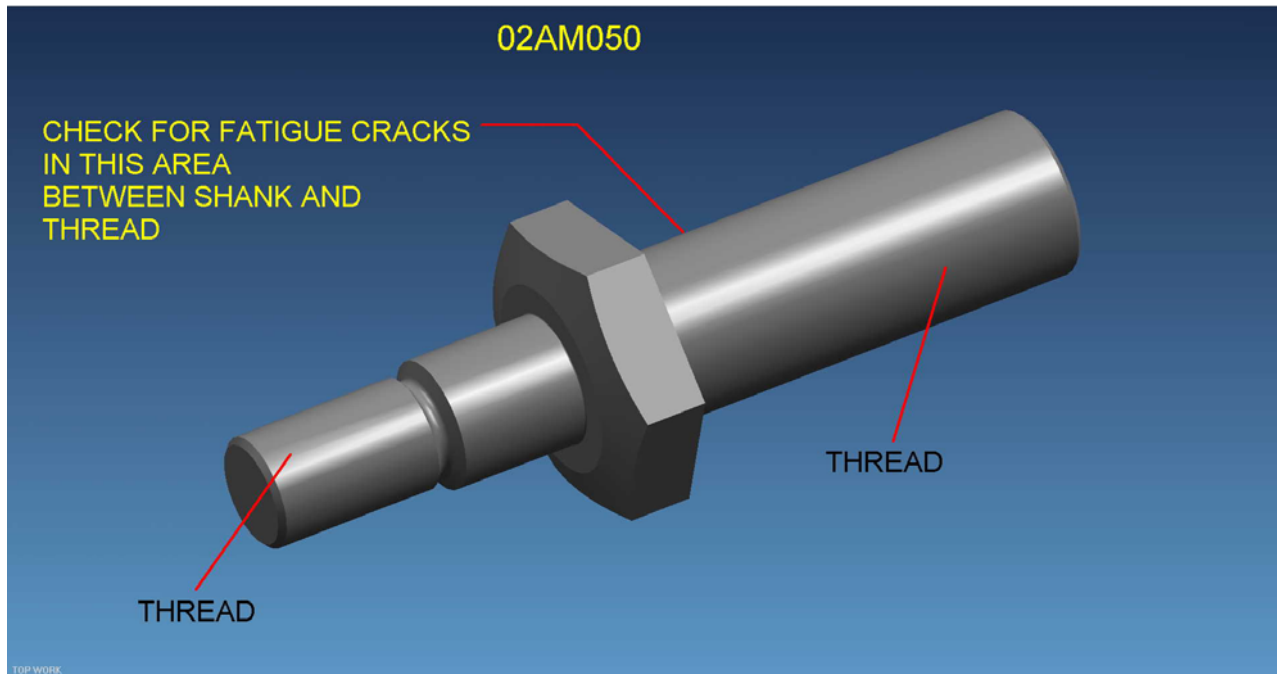


DP02	TB0012-2007	Elan Motorsports Technologies	
<b>From:</b>	Christian Rushforth		
<b>Subject:</b>	<i>Pivot Pin - Front Lower Wishbone Leading Leg</i>	<b>Date:</b>	April 5 <sup>th</sup> , 2007

## Attention all Elan DP02 teams Safety Critical Bulletin

It is advised that the current Pivot Pin for the Front Lower Wishbone Leading Leg Part No. 02AM050 be inspected for possible fatigue cracking at the juncture between M14 thread and shank location diameter.

*Note: The pins need to be removed from the chassis to inspect this area*



Pins should also be checked if ever the following instance occurs

- i) Car has an off from the circuit
- ii) The front end of the car is involved in an impact
- iii) Part reaches 500 miles of use

A new optional part manufactured from aircraft grade stainless steel is now available to order Part No. DP02-30-043. The new component also incorporates an under cut between the M14 thread and location diameter to improve fatigue strength.

Parts prices and delivery information available upon request