

# Technical Bulletin

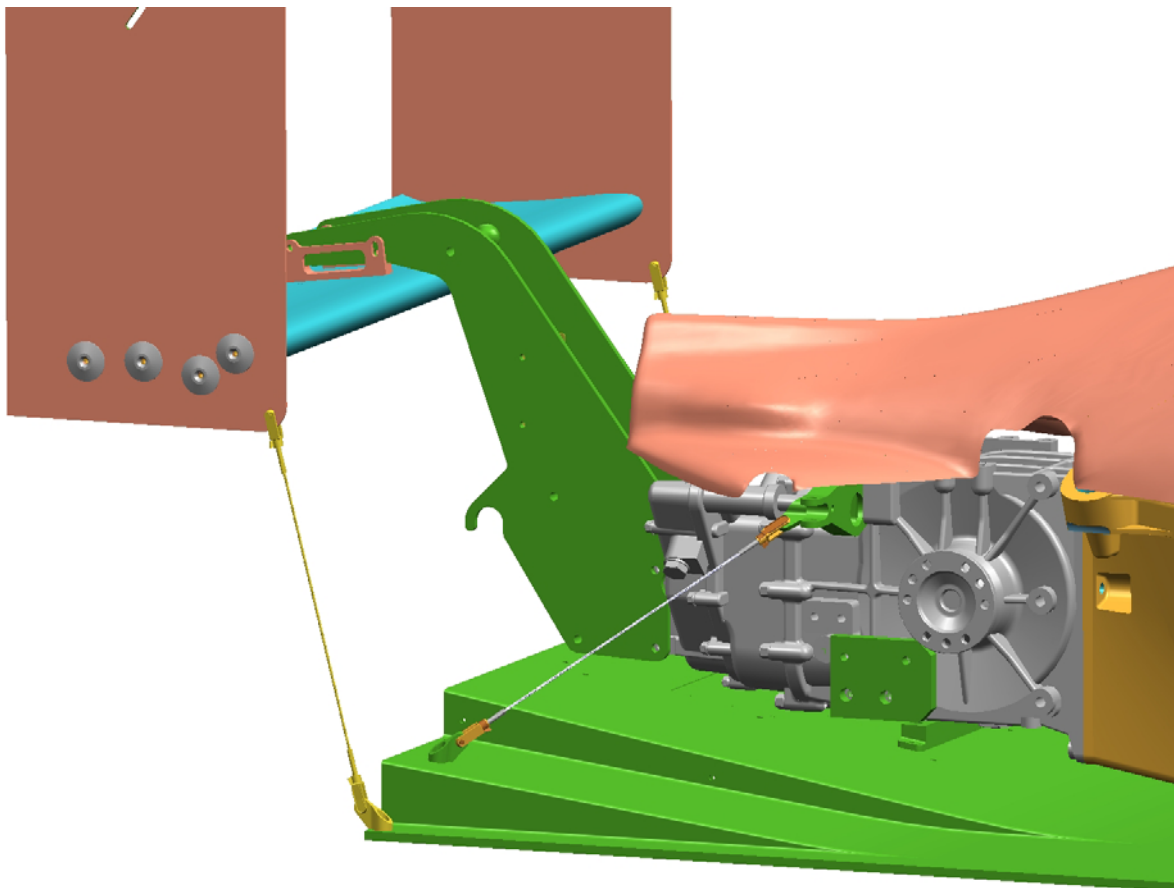


<b>DP08</b>	<b>TB012-DP08-2011</b>	<b>Elan Motorsports Technologies</b>	
<b>From:</b>	Andrew Leefe Kendon		
<b>Subject:</b>	<i>Rear Wing Support Optional</i>	<b>Date:</b>	February 8, 2011

## Attention all Elan DP08 teams

EMT will alter all future RWEF, and RW Pylons to allow for the fitting of additional support parts: -

PZ-0388 CLEVIS LARGE CABLE STAY x 4  
PZ-0428 13" CABLE FLOOR STAY x 2  
O2-B-M016 FLOOR STAY BRKT x 2  
93B2020 SPACER REAR WING PYLON x 1

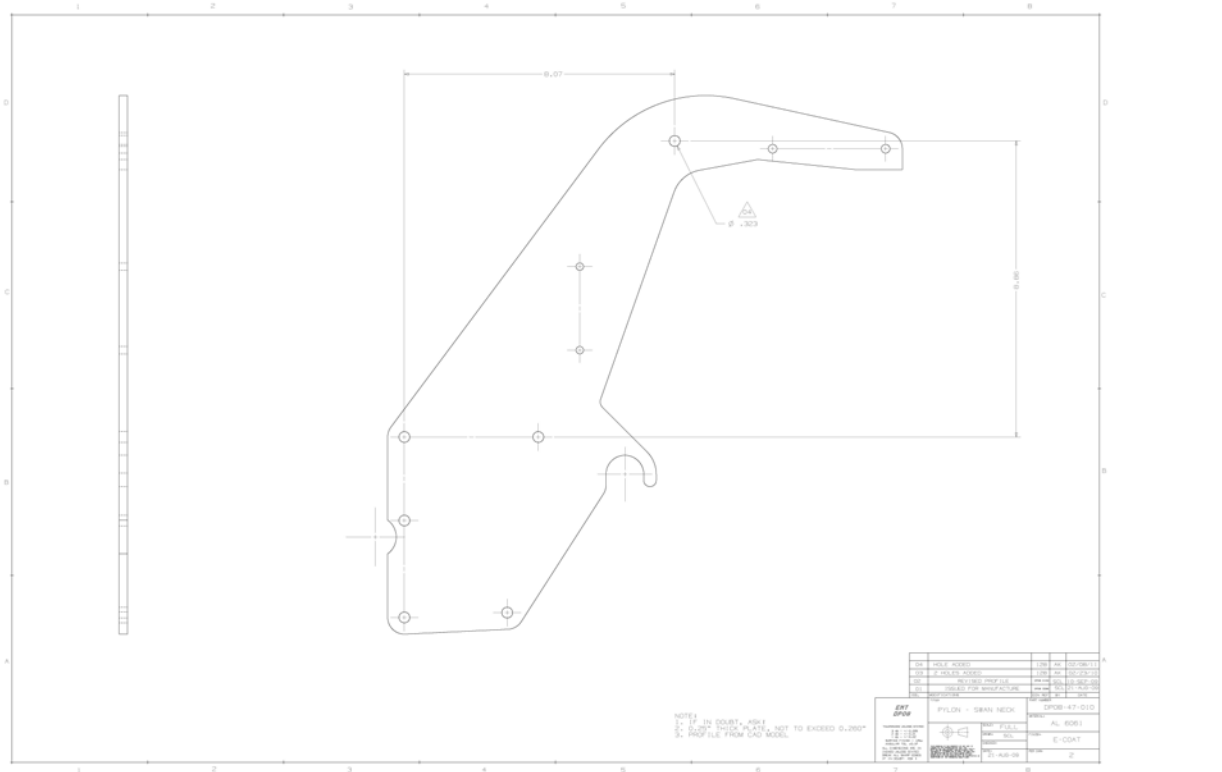
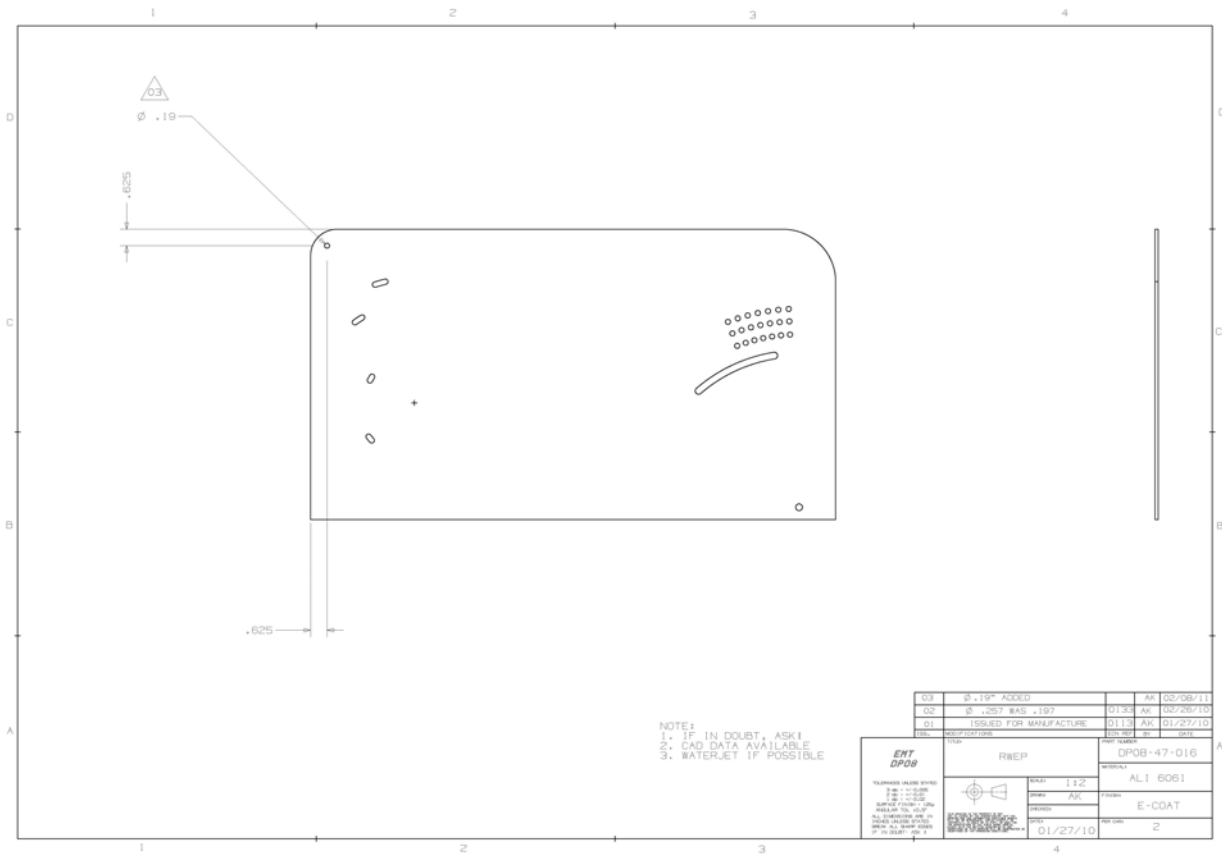


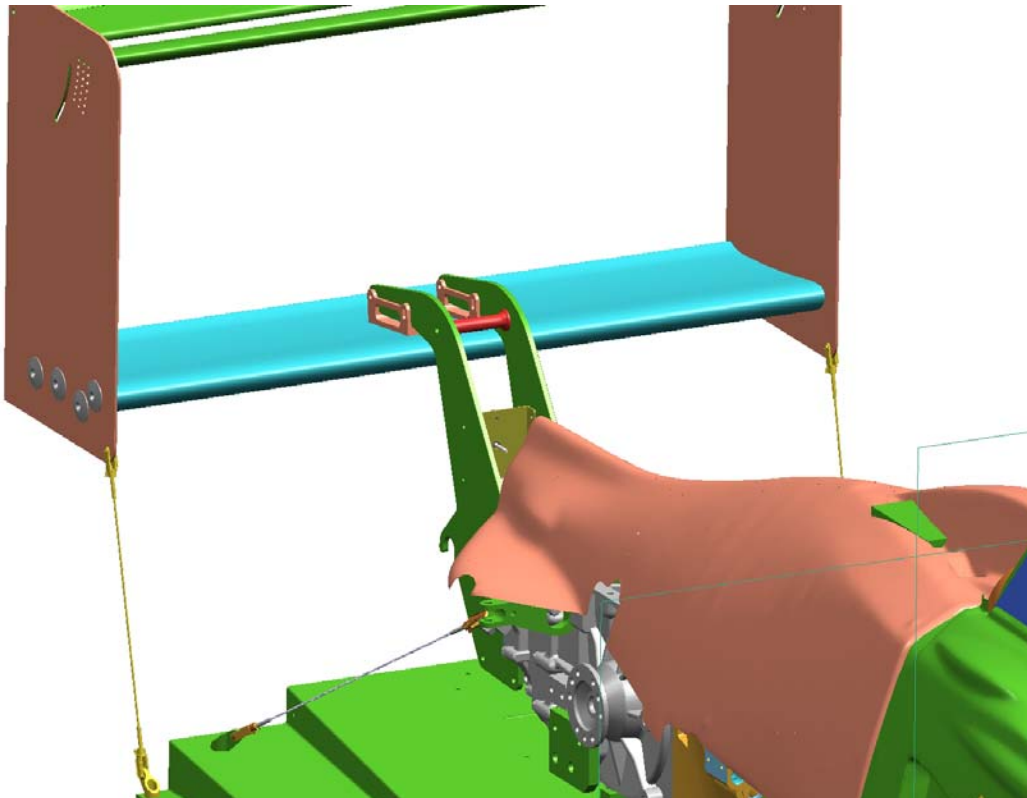
In order to fit the parts to existing cars it will be necessary to modify the parts using the following jpg's :-

**Andrew Leefe Kendon, Senior Design Engineer – (706) 654-2153 ext. 314,**

[akendon@elangroup.com](mailto:akendon@elangroup.com)

Page 1 of 3





Andrew Leefe Kendon